

ENGINEERED PRODUCTS

GRANOR® SERRATED BAFFLE WEATHERSTRIP SEAL

TECHNICAL

Granor manufactures and markets the Weatherstrip range – typically used between precast concrete facia panels on buildings and bridges etc. Their main purpose is to act as a wind, and wind driven rain barrier and hence the terminology – Weatherstrip.

BASIC SHAPE

The basic configuration – Flat Serrated Weatherstrip.

A variation of the flat serrated weatherstrip, is to use it as a tube – use an obviously oversize section which when inserted rolls onto itself thus forming a tube. Some technical publications illustrate this from of installation.

SELECTION OF SIZE

Serrated Weatherstrip – Typically, the diagonal of the gap is measured. To this add between 20% & 25% and try to fit.

Serrated Weatherstrip can be ‘nicked’ at the required width, and torn longitudinally along a serration to give an ‘on-site’ fine tuning of the width required.

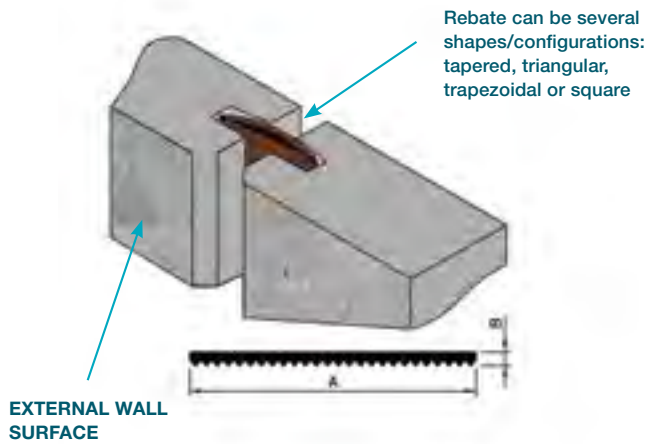
Determination of correct fit – Wherever possible design a recess to comply with dimensions and the style of selected weatherstrip. It is better to err towards a ‘tight’ fit as trimming will permit easier installation, than to have an excessive gap, not suitable for a standard size weatherstrip.

See overleaf for Installation specifications.

INSTALLATION SERRATED WEATHERSTRIP

- i. Typically, this is installed as shown in Fig. 1. An oversize section is pulled into the gap to be sealed, and takes up a position in a half moon shape – as illustrated.
- ii. Selection of width – Because the panels can vary from their theoretically correct position, trial and error may be required to determine the most suitable width.
- iii. A string is tied to one end, and this end of the Weatherstrip is inserted at the top and pulled through. Reduction in resistance to insertion can be achieved by, adding water as a lubricant, or by applying tension to the loose end – thus slightly reducing the cross section of the seal.
- iv. A 'bung', 'plug' or 'dob' of sealant is suggested at the lower end to ensure that it cannot fall through.

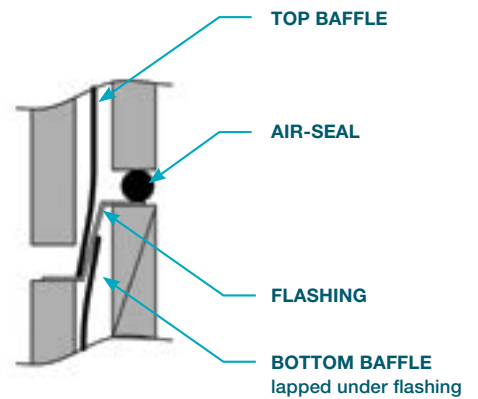
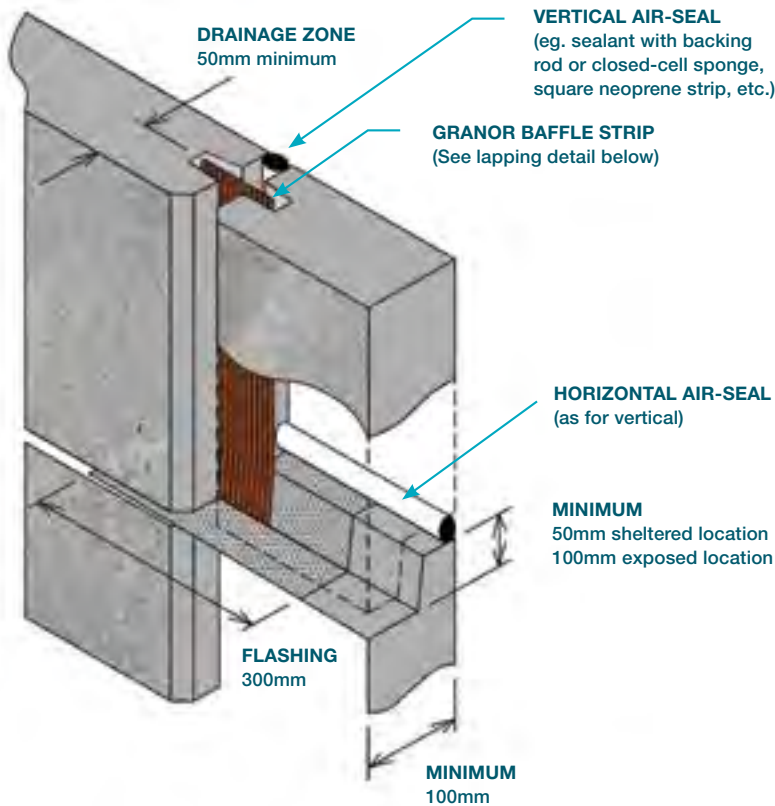
GRANOR SERRATED WEATHERSTRIP – PROFILE



SERRATED TYPE TYPICAL DIMENSIONS

GRANOR Part No.	Dimensions (A x B)	Roll Lengths
SER-75/3	75mm x 3mm	50m
SER-100/3	100mm x 3mm	50m
SER-120/3	120mm x 3mm	50mm

OPEN-DRAINED JOINTS



The information contained in this brochure is believed to be accurate and reliable. However the results obtained cannot be guaranteed.

Granor Rubber & Engineering Pty. Ltd. Reserves the right to modify, alter or change the products described herein, without notice.